



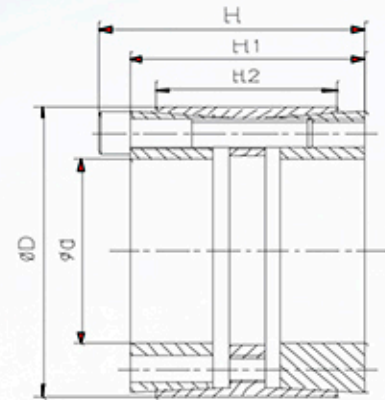
Suince
Group

Acoplamientos
Elementos de Bloqueo
Locking Elements



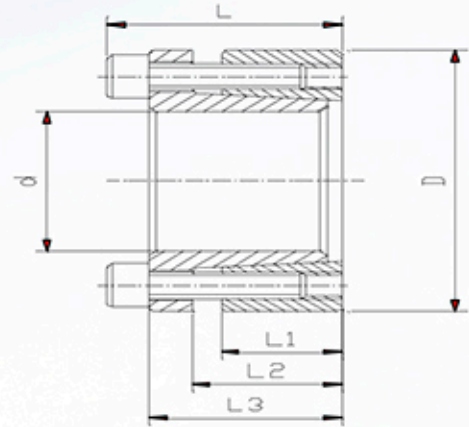
PR120141

SIZE:HKC-1 I
the size to fix(recommend):
shaft: h8 hub: H8



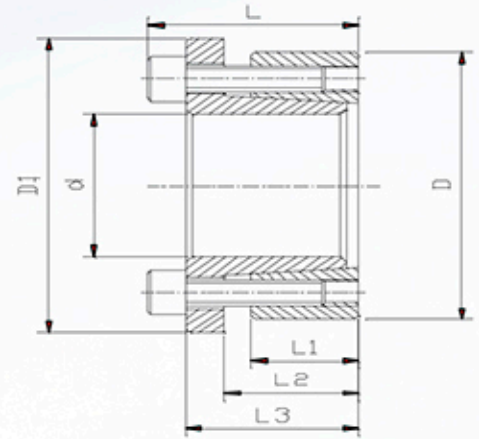
| dimensions | | | | | transmission | | contact pressure | | locking screws Din912-12.9 | | |
|------------|-----|-----|-----|-----|--------------|--------|-------------------|-------------------|----------------------------|---------|-------------------|
| | | | | | axial | torque | shaft | hub | qty | size | tightening torque |
| d | D | H | H1 | H2 | Ft | Mt | P | P1 | | | Ts |
| mm | mm | mm | mm | mm | KN | Nm | N/mm ² | N/mm ² | | | Nm |
| 25 | 55 | 46 | 40 | 32 | 59 | 743 | 292 | 100 | 6 | m6x35 | 17 |
| 28 | 55 | 46 | 40 | 32 | 59 | 832 | 261 | 100 | 6 | m6x35 | 17 |
| 30 | 55 | 46 | 40 | 32 | 59 | 891 | 243 | 100 | 6 | m6x35 | 17 |
| 35 | 60 | 60 | 54 | 44 | 69 | 1211 | 172 | 77 | 7 | m6x45 | 17 |
| 38 | 75 | 62 | 54 | 44 | 125 | 2372 | 285 | 112 | 7 | m8x50 | 41 |
| 40 | 75 | 62 | 54 | 44 | 125 | 2497 | 271 | 112 | 7 | m8x50 | 41 |
| 42 | 75 | 62 | 54 | 44 | 125 | 2622 | 258 | 112 | 7 | m8x50 | 41 |
| 45 | 75 | 62 | 54 | 44 | 125 | 2809 | 241 | 112 | 7 | m8x50 | 41 |
| 48 | 80 | 62 | 64 | 56 | 143 | 3427 | 199 | 94 | 8 | m8x55 | 41 |
| 50 | 80 | 72 | 64 | 56 | 143 | 3569 | 191 | 94 | 8 | m8x55 | 41 |
| 55 | 85 | 72 | 64 | 56 | 161 | 4416 | 196 | 99 | 9 | m8x55 | 41 |
| 60 | 90 | 72 | 64 | 56 | 178 | 5352 | 199 | 104 | 10 | m8x55 | 41 |
| 65 | 95 | 72 | 64 | 56 | 178 | 5799 | 184 | 99 | 10 | m8x55 | 41 |
| 70 | 110 | 88 | 78 | 70 | 289 | 10123 | 218 | 111 | 10 | m10x60 | 83 |
| 75 | 115 | 88 | 78 | 70 | 289 | 10846 | 203 | 106 | 10 | m10x60 | 83 |
| 80 | 120 | 88 | 78 | 70 | 318 | 12727 | 209 | 112 | 11 | m10x60 | 83 |
| 85 | 125 | 88 | 78 | 70 | 347 | 14752 | 215 | 117 | 12 | m10x60 | 83 |
| 90 | 130 | 88 | 78 | 70 | 347 | 15620 | 203 | 112 | 12 | m10x60 | 83 |
| 95 | 135 | 88 | 78 | 70 | 347 | 16488 | 192 | 108 | 12 | m10x60 | 83 |
| 100 | 145 | 112 | 100 | 90 | 463 | 23150 | 195 | 105 | 11 | m12x80 | 145 |
| 110 | 155 | 112 | 100 | 90 | 505 | 27781 | 193 | 107 | 12 | m12x80 | 145 |
| 120 | 165 | 112 | 100 | 90 | 589 | 35361 | 207 | 117 | 14 | m12x80 | 145 |
| 130 | 180 | 130 | 116 | 104 | 687 | 44633 | 185 | 108 | 12 | m14x90 | 230 |
| 140 | 190 | 130 | 116 | 104 | 801 | 56073 | 201 | 120 | 14 | m14x90 | 230 |
| 150 | 200 | 130 | 116 | 104 | 858 | 64371 | 201 | 122 | 15 | m14x90 | 230 |
| 160 | 210 | 130 | 116 | 104 | 916 | 73241 | 201 | 124 | 16 | m14x90 | 230 |
| 170 | 225 | 164 | 148 | 134 | 1098 | 93306 | 190 | 107 | 14 | m16x110 | 360 |
| 180 | 235 | 164 | 148 | 134 | 1176 | 105851 | 193 | 110 | 15 | m16x110 | 360 |
| 190 | 250 | 164 | 148 | 134 | 1255 | 119180 | 195 | 110 | 16 | m16x110 | 360 |
| 200 | 260 | 164 | 148 | 134 | 1255 | 125453 | 185 | 106 | 16 | m16x110 | 360 |
| 220 | 285 | 164 | 148 | 134 | 1411 | 155248 | 189 | 109 | 18 | m16x110 | 360 |

SIZE:HKC-13
the size to fix(recommend):
shaft: h8 hub: H8



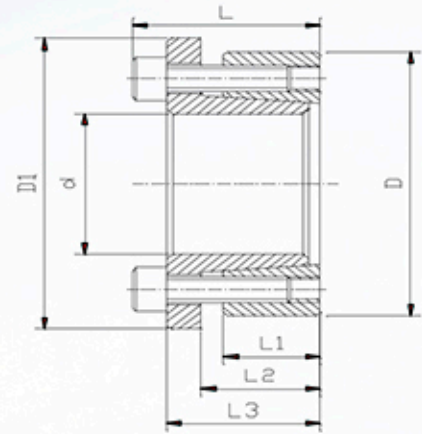
| dimensions | | | | | | | transmission | | contact pressure | | locking screws Din912-12.9 | | |
|------------|-----|----|----|----|----|----|--------------|--------|------------------|-------|----------------------------|--------|------------|
| | | | | | | | axial | torque | shaft | hub | qty | size | tightening |
| d | D | L1 | L2 | L3 | L4 | L | Ft | Mt | P | P1 | | | Ts |
| mm | mm | mm | mm | mm | mm | mm | KN | Nm | N/mm2 | N/mm2 | | | Nm |
| 19 | 47 | 17 | 22 | 28 | 25 | 34 | 29 | 273 | 262 | 106 | 5 | M6x20 | 13 |
| 20 | 47 | 17 | 22 | 28 | 25 | 34 | 29 | 287 | 249 | 106 | 5 | M6x20 | 13 |
| 22 | 47 | 17 | 22 | 28 | 25 | 34 | 29 | 316 | 227 | 106 | 5 | M6x20 | 13 |
| 24 | 50 | 17 | 22 | 28 | 25 | 34 | 34 | 413 | 249 | 120 | 6 | M6x20 | 13 |
| 25 | 50 | 17 | 22 | 28 | 25 | 34 | 34 | 431 | 239 | 120 | 6 | M6x20 | 13 |
| 28 | 55 | 17 | 22 | 28 | 25 | 34 | 34 | 482 | 213 | 109 | 6 | M6x20 | 13 |
| 30 | 55 | 17 | 22 | 28 | 25 | 34 | 34 | 517 | 199 | 109 | 6 | M6x20 | 13 |
| 32 | 60 | 17 | 22 | 28 | 25 | 34 | 46 | 734 | 249 | 133 | 8 | M6x20 | 13 |
| 35 | 60 | 17 | 22 | 28 | 25 | 34 | 46 | 803 | 227 | 133 | 8 | M6x20 | 13 |
| 38 | 65 | 17 | 22 | 28 | 25 | 34 | 46 | 872 | 210 | 122 | 8 | M6x20 | 13 |
| 40 | 65 | 17 | 22 | 28 | 25 | 34 | 46 | 918 | 199 | 122 | 8 | M6x20 | 13 |
| 42 | 75 | 20 | 25 | 33 | 30 | 41 | 74 | 1563 | 261 | 146 | 7 | M8x25 | 32 |
| 45 | 75 | 20 | 25 | 33 | 30 | 41 | 74 | 1674 | 244 | 146 | 7 | M8x25 | 32 |
| 50 | 80 | 20 | 25 | 33 | 30 | 41 | 74 | 1860 | 219 | 137 | 7 | M8x25 | 32 |
| 55 | 85 | 20 | 25 | 33 | 30 | 41 | 85 | 2340 | 228 | 148 | 8 | M8x25 | 32 |
| 60 | 90 | 20 | 25 | 33 | 30 | 41 | 85 | 2553 | 209 | 139 | 8 | M8x25 | 32 |
| 65 | 95 | 20 | 25 | 33 | 30 | 41 | 96 | 3110 | 217 | 149 | 9 | M8x25 | 32 |
| 70 | 110 | 24 | 30 | 40 | 37 | 50 | 138 | 4838 | 243 | 154 | 8 | M10x30 | 65 |
| 75 | 115 | 24 | 30 | 40 | 37 | 50 | 138 | 5184 | 226 | 148 | 8 | M10x30 | 65 |
| 80 | 120 | 24 | 30 | 40 | 37 | 50 | 138 | 5530 | 212 | 142 | 8 | M10x30 | 65 |
| 85 | 125 | 24 | 30 | 40 | 37 | 50 | 156 | 6610 | 225 | 153 | 9 | M10x30 | 65 |
| 90 | 130 | 24 | 30 | 40 | 37 | 50 | 156 | 6998 | 212 | 147 | 9 | M10x30 | 65 |
| 95 | 135 | 24 | 30 | 40 | 37 | 50 | 173 | 8208 | 223 | 157 | 10 | M10x30 | 65 |
| 100 | 145 | 26 | 32 | 44 | 41 | 56 | 195 | 9742 | 221 | 152 | 8 | M12x35 | 110 |
| 110 | 155 | 26 | 32 | 44 | 41 | 56 | 195 | 10716 | 201 | 143 | 8 | M12x35 | 110 |
| 120 | 165 | 26 | 32 | 44 | 41 | 56 | 219 | 13154 | 207 | 151 | 9 | M12x35 | 110 |
| 130 | 180 | 34 | 40 | 52 | 49 | 64 | 292 | 18996 | 195 | 141 | 12 | M12x35 | 110 |
| 140 | 190 | 34 | 40 | 54 | 51 | 68 | 291 | 20336 | 180 | 133 | 9 | M14x40 | 170 |
| 150 | 200 | 34 | 40 | 54 | 51 | 68 | 323 | 24211 | 187 | 140 | 10 | M14x40 | 170 |
| 160 | 210 | 34 | 40 | 54 | 51 | 68 | 355 | 28408 | 192 | 147 | 11 | M14x40 | 170 |
| 170 | 225 | 44 | 50 | 64 | 61 | 78 | 387 | 32929 | 153 | 115 | 12 | M14x40 | 170 |
| 180 | 235 | 44 | 50 | 64 | 61 | 78 | 387 | 34866 | 144 | 110 | 12 | M14x40 | 170 |

SIZE:HKC-15
the size to fix(recommend):
shaft: h8 hub: H8



| dimensions | | | | | | | transmission | | contact pressure | | locking screws Din12-12.9 | | |
|------------|----|----|----|----|----|----|--------------|--------|------------------|-------|---------------------------|-------|-------------------|
| | | | | | | | axial | torque | shaft | hub | qty | size | Din 912-12.9 |
| | | | | | | | Ft | Mt | P | P1 | | | tightening torque |
| d | D | D1 | L1 | L2 | L3 | L | | | | | | | Ts |
| mm | mm | mm | mm | mm | mm | mm | KN | Nm | N/mm2 | N/mm2 | | | Nm |
| 14 | 55 | 62 | 17 | 22 | 31 | 39 | 31 | 216 | 383 | 97 | 4 | m8x25 | 37 |
| 16 | 55 | 62 | 17 | 22 | 31 | 39 | 31 | 247 | 335 | 97 | 4 | m8x25 | 37 |
| 18 | 55 | 62 | 17 | 22 | 31 | 39 | 34 | 308 | 330 | 108 | 4 | m8x25 | 41 |
| 19 | 55 | 62 | 17 | 22 | 31 | 39 | 34 | 325 | 313 | 108 | 4 | m8x25 | 41 |
| 20 | 55 | 62 | 17 | 22 | 31 | 39 | 34 | 342 | 297 | 108 | 4 | m8x25 | 41 |
| 22 | 55 | 62 | 17 | 22 | 31 | 39 | 34 | 377 | 270 | 108 | 4 | m8x25 | 41 |
| 24 | 55 | 62 | 17 | 22 | 31 | 39 | 34 | 411 | 247 | 108 | 4 | m8x25 | 41 |
| 25 | 55 | 62 | 17 | 22 | 31 | 39 | 34 | 428 | 238 | 108 | 4 | m8x25 | 41 |
| 28 | 55 | 62 | 17 | 22 | 31 | 39 | 34 | 479 | 212 | 108 | 4 | m8x25 | 41 |
| 30 | 55 | 62 | 17 | 22 | 31 | 39 | 34 | 514 | 198 | 108 | 4 | m8x25 | 41 |
| 24 | 65 | 72 | 17 | 22 | 31 | 39 | 43 | 513 | 309 | 114 | 5 | m8x25 | 41 |
| 25 | 65 | 72 | 17 | 22 | 31 | 39 | 43 | 535 | 297 | 114 | 5 | m8x25 | 41 |
| 28 | 65 | 72 | 17 | 22 | 31 | 39 | 43 | 599 | 265 | 114 | 5 | m8x25 | 41 |
| 30 | 65 | 72 | 17 | 22 | 31 | 39 | 43 | 642 | 247 | 114 | 5 | m8x25 | 41 |
| 32 | 65 | 72 | 17 | 22 | 31 | 39 | 43 | 684 | 232 | 114 | 5 | m8x25 | 41 |
| 35 | 65 | 72 | 17 | 22 | 31 | 39 | 43 | 748 | 212 | 114 | 5 | m8x25 | 41 |
| 38 | 65 | 72 | 17 | 22 | 31 | 39 | 43 | 813 | 195 | 114 | 5 | m8x25 | 41 |
| 40 | 65 | 72 | 17 | 22 | 31 | 39 | 43 | 855 | 185 | 114 | 5 | m8x25 | 41 |
| 30 | 80 | 87 | 20 | 25 | 33 | 41 | 60 | 899 | 295 | 110 | 7 | m8x25 | 41 |
| 32 | 80 | 87 | 20 | 25 | 33 | 41 | 60 | 959 | 276 | 110 | 7 | m8x25 | 41 |
| 35 | 80 | 87 | 20 | 25 | 33 | 41 | 60 | 1049 | 253 | 110 | 7 | m8x25 | 41 |
| 38 | 80 | 87 | 20 | 25 | 33 | 41 | 60 | 1139 | 233 | 110 | 7 | m8x25 | 41 |
| 40 | 80 | 87 | 20 | 25 | 33 | 41 | 60 | 1199 | 221 | 108 | 7 | m8x25 | 41 |
| 42 | 80 | 87 | 20 | 25 | 33 | 41 | 60 | 1259 | 210 | 110 | 7 | m8x25 | 41 |
| 45 | 80 | 87 | 20 | 25 | 33 | 41 | 60 | 1349 | 196 | 110 | 7 | m8x25 | 41 |
| 48 | 80 | 87 | 20 | 25 | 33 | 41 | 60 | 1439 | 184 | 110 | 7 | m8x25 | 41 |
| 50 | 80 | 87 | 20 | 25 | 33 | 41 | 60 | 1499 | 177 | 110 | 7 | m8x25 | 41 |

SIZE:HKC-16
the size to fix(recommend):
shaft: h8 hub: H8

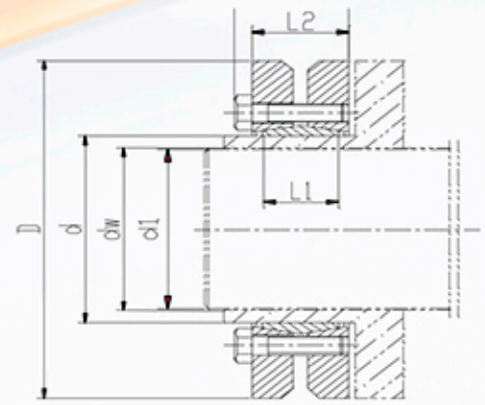


| dimensions | | | | | | | transmission | | contact pressure | | locking screws Din912-12.9 | | |
|------------|-----|-----|----|----|----|----|--------------|--------|-------------------|-------------------|----------------------------|-------|-------------------|
| | | | | | | | axial force | torque | shaft | hub | qt | size | tightening torque |
| | | | | | | | | | P | P1 | y | | Ts |
| d | D | D1 | L1 | L2 | L3 | L | Ft | Mt | N/mm ² | N/mm ² | | | Nm |
| m | m | m | m | m | m | m | KN | Nm | | | | | |
| 19 | 47 | 56 | 17 | 22 | 28 | 34 | 24 | 226 | 217 | 88 | 5 | m6x20 | 17 |
| 20 | 47 | 56 | 17 | 22 | 28 | 34 | 24 | 238 | 206 | 88 | 5 | m6x20 | 17 |
| 22 | 47 | 56 | 17 | 22 | 28 | 34 | 24 | 261 | 187 | 88 | 5 | m6x20 | 17 |
| 24 | 50 | 59 | 17 | 22 | 28 | 34 | 29 | 342 | 206 | 99 | 6 | m6x20 | 17 |
| 25 | 50 | 59 | 17 | 22 | 28 | 34 | 29 | 356 | 198 | 99 | 6 | m6x20 | 17 |
| 28 | 55 | 64 | 17 | 22 | 28 | 34 | 29 | 399 | 177 | 90 | 6 | m6x20 | 17 |
| 30 | 55 | 64 | 17 | 22 | 28 | 34 | 29 | 428 | 165 | 90 | 6 | m6x20 | 17 |
| 32 | 60 | 69 | 17 | 22 | 28 | 34 | 38 | 608 | 206 | 110 | 8 | m6x20 | 17 |
| 35 | 60 | 69 | 17 | 22 | 28 | 34 | 38 | 665 | 188 | 110 | 8 | m6x20 | 17 |
| 38 | 65 | 74 | 17 | 22 | 28 | 34 | 38 | 722 | 174 | 101 | 8 | m6x20 | 17 |
| 40 | 65 | 74 | 17 | 22 | 28 | 34 | 38 | 760 | 165 | 101 | 8 | m6x20 | 17 |
| 42 | 75 | 84 | 20 | 25 | 33 | 41 | 60 | 1259 | 210 | 118 | 7 | m8x25 | 41 |
| 45 | 75 | 84 | 20 | 25 | 33 | 41 | 60 | 1349 | 196 | 118 | 7 | m8x25 | 41 |
| 50 | 80 | 84 | 20 | 25 | 33 | 41 | 60 | 1499 | 177 | 110 | 7 | m8x25 | 41 |
| 55 | 85 | 94 | 20 | 25 | 33 | 41 | 68 | 1883 | 184 | 119 | 8 | m8x25 | 41 |
| 60 | 90 | 99 | 20 | 25 | 33 | 41 | 68 | 2054 | 168 | 112 | 8 | m8x25 | 41 |
| 65 | 95 | 100 | 20 | 25 | 33 | 41 | 77 | 2503 | 175 | 120 | 9 | m8x25 | 41 |
| 70 | 111 | 111 | 24 | 30 | 40 | 50 | 111 | 3886 | 195 | 124 | 8 | m10x3 | 83 |
| 75 | 111 | 112 | 24 | 30 | 40 | 50 | 111 | 4163 | 182 | 119 | 8 | m10x3 | 83 |
| 80 | 112 | 112 | 24 | 30 | 40 | 50 | 111 | 4441 | 171 | 114 | 8 | m10x3 | 83 |
| 85 | 112 | 113 | 24 | 30 | 40 | 50 | 125 | 5306 | 180 | 123 | 9 | m10x3 | 83 |
| 90 | 113 | 113 | 24 | 30 | 40 | 50 | 125 | 5618 | 170 | 118 | 9 | m10x3 | 83 |
| 95 | 113 | 114 | 24 | 30 | 40 | 50 | 139 | 6587 | 179 | 126 | 1 | m10x3 | 83 |
| 10 | 14 | 15 | 26 | 32 | 44 | 56 | 162 | 8078 | 183 | 126 | 8 | m12x3 | 145 |
| 11 | 15 | 16 | 26 | 32 | 44 | 56 | 162 | 8886 | 167 | 118 | 8 | m12x3 | 145 |
| 12 | 16 | 17 | 26 | 32 | 44 | 56 | 182 | 10899 | 172 | 125 | 9 | m12x3 | 145 |
| 13 | 18 | 18 | 34 | 40 | 52 | 64 | 242 | 15746 | 162 | 117 | 1 | m12x3 | 145 |
| 14 | 19 | 19 | 34 | 40 | 54 | 68 | 247 | 17290 | 153 | 113 | 9 | m14x4 | 230 |
| 15 | 20 | 20 | 34 | 40 | 54 | 68 | 274 | 20582 | 159 | 119 | 1 | m14x4 | 230 |
| 16 | 21 | 21 | 34 | 40 | 54 | 68 | 302 | 24149 | 164 | 125 | 1 | m14x4 | 230 |
| 17 | 22 | 23 | 44 | 50 | 64 | 78 | 329 | 27990 | 130 | 98 | 1 | m14x4 | 230 |
| 18 | 23 | 24 | 44 | 50 | 64 | 78 | 329 | 29636 | 123 | 94 | 1 | m14x4 | 230 |

SIZE:HKC-19

the size to fix(recommend):

shaft: h8 hub: H8

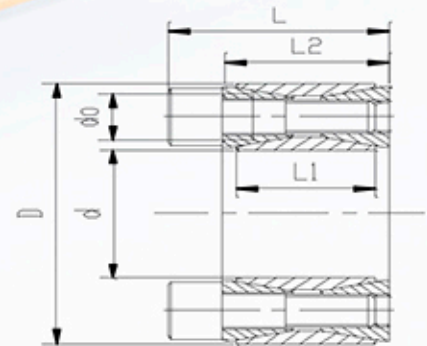


| Dimensions | | | | | | | transmission | | contact pressure | locking screws Din931-10.9 | | |
|------------|-----|-----|----|------|------|--------|--------------|--------|------------------|----------------------------|--------|------------|
| | | | | | | | axial force | torque | shaft | Din 931-10.9 | | |
| | | | | | | | | | | qty | size | tightening |
| D | D | dw | L1 | L2 | L | (dw-d) | Ft | Mt | P | | | Ts |
| mm | mm | mm | mm | mm | mm | mm | KN | Nm | N/mm2 | | | Nm |
| 24 | 50 | 19 | 14 | 19.5 | 23 | 0.017 | 15 | 162 | 272 | 6 | M5x18 | 4.9 |
| | | 20 | | | | | 18.5 | 200 | | | | |
| | | 21 | | | | | 21 | 238 | | | | |
| 30 | 60 | 24 | 16 | 21.5 | 25 | 0.017 | 15.7 | 285 | 221 | 7 | M5x18 | 4.9 |
| | | 25 | | | | | 23.7 | 323 | | | | |
| | | 26 | | | | | 26.7 | 361 | | | | |
| 36 | 72 | 28 | 18 | 23.5 | 27.5 | 0.032 | 27 | 418 | 292 | 5 | M6x20 | 11.8 |
| | | 30 | | | | | 38 | 542 | | | | |
| | | 31 | | | | | 43 | 599 | | | | |
| 44 | 80 | 32 | 20 | 25.5 | 29.5 | 0.032 | 44 | 589 | 301 | 7 | M6x20 | 11.8 |
| | | 35 | | | | | 49 | 741 | | | | |
| | | 36 | | | | | 54 | 817 | | | | |
| 50 | 90 | 38 | 22 | 27.5 | 31.5 | 0.032 | 48.8 | 893 | 275 | 8 | M6x25 | 11.8 |
| | | 40 | | | | | 58.8 | 1102 | | | | |
| | | 42 | | | | | 69 | 1311 | | | | |
| 55 | 100 | 42 | 23 | 30.5 | 34.5 | 0.032 | 48 | 1102 | 239 | 8 | M6x25 | 11.8 |
| | | 45 | | | | | 61.7 | 1444 | | | | |
| | | 48 | | | | | 77 | 1786 | | | | |
| 62 | 110 | 48 | 23 | 30.5 | 34.5 | 0.048 | 69 | 1758 | 265 | 10 | M6x25 | 11.8 |
| | | 50 | | | | | 80.9 | 2090 | | | | |
| | | 52 | | | | | 90 | 2280 | | | | |
| 68 | 115 | 50 | 23 | 30.5 | 34.5 | 0.048 | 71.2 | 1900 | 242 | 10 | M6x25 | 11.8 |
| | | 55 | | | | | 80.9 | 2375 | | | | |
| | | 60 | | | | | 95.7 | 2993 | | | | |
| 75 | 138 | 55 | 25 | 32.5 | 37.8 | 0.048 | 94.4 | 2375 | 259 | 7 | M8x30 | 29.4 |
| | | 60 | | | | | 111 | 3040 | | | | |
| | | 65 | | | | | 126 | 3753 | | | | |
| 80 | 145 | 60 | 25 | 32.5 | 37.8 | 0.048 | 99.3 | 3040 | 243 | 7 | M8x30 | 29.4 |
| | | 65 | | | | | 115 | 3705 | | | | |
| | | 70 | | | | | 130 | 4370 | | | | |
| 90 | 155 | 65 | 30 | 39 | 44.3 | 0.048 | 141 | 4513 | 257 | 10 | M8x35 | 29.4 |
| | | 70 | | | | | 160 | 5700 | | | | |
| | | 75 | | | | | 178 | 6888 | | | | |
| 100 | 170 | 70 | 34 | 44 | 49.3 | 0.048 | 163 | 6555 | 245 | 12 | M8x35 | 29.4 |
| | | 75 | | | | | 182 | 7125 | | | | |
| | | 80 | | | | | 202 | 8550 | | | | |
| 110 | 185 | 80 | 39 | 50 | 56.4 | 0.048 | 185 | 6840 | 232 | 9 | M10x40 | 57.8 |
| | | 85 | | | | | 207 | 8550 | | | | |
| | | 85 | | | | | 221 | 10260 | | | | |
| 125 | 215 | 90 | 42 | 54 | 60.4 | 0.069 | 240 | 10450 | 253 | 12 | M10x40 | 57.8 |
| | | 95 | | | | | 262 | 12350 | | | | |
| | | 95 | | | | | 285 | 14250 | | | | |
| 140 | 230 | 100 | 46 | 60.5 | 68 | 0.069 | 308 | 14345 | 251 | 10 | M12x45 | 98 |
| | | 105 | | | | | 331 | 16720 | | | | |
| | | 105 | | | | | 357 | 19095 | | | | |
| 155 | 265 | 110 | 50 | 64.5 | 72 | 0.069 | 366 | 20900 | 250 | 12 | M12x50 | 98 |
| | | 115 | | | | | 392 | 23750 | | | | |
| | | 115 | | | | | 417 | 26600 | | | | |
| 165 | 290 | 120 | 56 | 71 | 81 | 0.069 | 513 | 29450 | 263 | 8 | M16x55 | 245 |
| | | 125 | | | | | 544 | 33250 | | | | |
| | | 125 | | | | | 564 | 37050 | | | | |
| 175 | 300 | 130 | 56 | 71 | 81 | 0.079 | 576 | 34200 | 248 | 8 | M16x55 | 250 |
| | | 135 | | | | | 630 | 38950 | | | | |
| | | 135 | | | | | 666 | 45000 | | | | |

SIZE:HKC-40

the size to fix(recommend):

shaft: h8 hub: H8

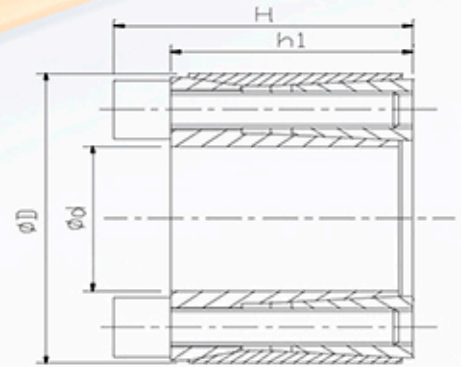


| dimensions | | | | | transmission | | contact pressure | | locking screws Din912-12.9 | | | |
|------------|-----|----|----|----|--------------|--------|------------------|-------|----------------------------|--------|--------------|--------|
| Φd | ΦD | L1 | L2 | L | Ft | Mt | P | P1 | qty | size | Din 912-12.9 | |
| | | | | | | | | | | | axial force | torque |
| mm | mm | mm | mm | mm | KN | Nm | N/mm2 | N/mm2 | | | | Nm |
| 19 | 47 | 17 | 20 | 26 | 26.8 | 260 | 220 | 93 | 8 | m6x18 | 14.9 | |
| 20 | 47 | 17 | 20 | 26 | 26.8 | 268 | 210 | 93 | 8 | m6x18 | 14.9 | |
| 22 | 47 | 17 | 20 | 26 | 26.8 | 283 | 207 | 96 | 8 | m6x18 | 14.9 | |
| 24 | 50 | 17 | 20 | 26 | 30.1 | 361 | 206 | 103 | 9 | m6x18 | 14.9 | |
| 25 | 50 | 17 | 20 | 26 | 30.1 | 376 | 206 | 103 | 9 | m6x18 | 14.9 | |
| 28 | 55 | 17 | 20 | 26 | 33.5 | 420 | 204 | 103 | 10 | m6x18 | 14.9 | |
| 30 | 55 | 17 | 20 | 26 | 33.5 | 450 | 190 | 103 | 10 | m6x18 | 14.9 | |
| 32 | 60 | 17 | 20 | 26 | 40.2 | 643 | 214 | 114 | 12 | m6x18 | 14.9 | |
| 35 | 60 | 17 | 20 | 26 | 40.2 | 703 | 196 | 114 | 12 | m6x18 | 14.9 | |
| 38 | 65 | 17 | 20 | 26 | 46.9 | 891 | 204 | 122 | 14 | m6x18 | 14.9 | |
| 40 | 65 | 17 | 20 | 26 | 46.9 | 938 | 200 | 122 | 14 | m6x18 | 14.9 | |
| 42 | 75 | 20 | 24 | 32 | 73.2 | 1537 | 228 | 125 | 12 | m8x22 | 35 | |
| 45 | 75 | 20 | 24 | 32 | 73.2 | 1647 | 208 | 125 | 12 | m8x22 | 35 | |
| 48 | 80 | 20 | 24 | 32 | 73.2 | 1756 | 190 | 110 | 12 | m8x22 | 35 | |
| 50 | 80 | 20 | 24 | 32 | 73.2 | 1830 | 189 | 115 | 12 | m8x22 | 35 | |
| 55 | 85 | 20 | 24 | 32 | 85.4 | 2348 | 200 | 130 | 14 | m8x22 | 35 | |
| 60 | 90 | 20 | 24 | 32 | 85.4 | 2560 | 180 | 122 | 14 | m8x22 | 35 | |
| 65 | 95 | 20 | 24 | 32 | 97.6 | 3170 | 191 | 130 | 16 | m8x22 | 35 | |
| 70 | 110 | 24 | 28 | 38 | 134.4 | 4700 | 211 | 132 | 14 | m10x25 | 69 | |
| 75 | 115 | 24 | 28 | 38 | 134.4 | 5000 | 194 | 128 | 14 | m10x25 | 69 | |
| 80 | 120 | 24 | 28 | 38 | 134.4 | 5300 | 182 | 124 | 14 | m10x25 | 69 | |
| 85 | 125 | 24 | 28 | 38 | 153.6 | 6500 | 196 | 133 | 16 | m10x25 | 69 | |
| 90 | 130 | 24 | 28 | 38 | 153.6 | 6900 | 181 | 128 | 16 | m10x25 | 69 | |
| 95 | 135 | 24 | 28 | 38 | 172.8 | 8200 | 196 | 139 | 18 | m10x25 | 69 | |
| 100 | 145 | 26 | 33 | 45 | 197.4 | 9870 | 198 | 139 | 14 | m12x30 | 123.3 | |
| 110 | 155 | 26 | 33 | 45 | 187.4 | 10800 | 181 | 128 | 14 | m12x31 | 123.3 | |
| 120 | 165 | 26 | 33 | 45 | 225.6 | 13500 | 187 | 139 | 16 | m12x32 | 123.3 | |
| 130 | 180 | 34 | 38 | 50 | 282 | 18300 | 168 | 119 | 20 | m12x35 | 123.3 | |
| 140 | 190 | 34 | 38 | 50 | 310.1 | 21700 | 168 | 128 | 22 | m12x35 | 123.3 | |
| 150 | 200 | 34 | 38 | 50 | 338.4 | 25300 | 170 | 128 | 24 | m12x35 | 123.3 | |
| 160 | 210 | 34 | 38 | 50 | 366.6 | 29300 | 171 | 132 | 26 | m12x35 | 123.3 | |
| 170 | 225 | 38 | 44 | 58 | 389 | 33000 | 162 | 123 | 22 | m14x40 | 187 | |
| 180 | 235 | 38 | 44 | 58 | 424 | 38000 | 168 | 128 | 24 | m14x40 | 187 | |
| 190 | 250 | 46 | 52 | 66 | 495 | 47000 | 154 | 114 | 28 | m14x45 | 187 | |
| 200 | 260 | 46 | 52 | 66 | 531 | 53000 | 157 | 118 | 30 | m14x45 | 187 | |
| 220 | 285 | 50 | 56 | 72 | 631 | 69400 | 152 | 117 | 26 | m16x50 | 187 | |
| 240 | 305 | 50 | 56 | 72 | 860 | 103162 | 211 | 166 | 30 | m16x50 | 290 | |
| 260 | 325 | 50 | 56 | 72 | 974 | 126669 | 221 | 177 | 34 | m16x50 | 290 | |
| 280 | 355 | 60 | 66 | 84 | 1124 | 157339 | 197 | 156 | 32 | m18x60 | 400 | |
| 300 | 375 | 60 | 66 | 84 | 1264 | 189653 | 207 | 166 | 36 | m18x60 | 400 | |
| 320 | 405 | 72 | 78 | 98 | 1651 | 264108 | 211 | 167 | 36 | m20x70 | 580 | |

SIZE:HKC-45

the size to fix(recommend):

shaft: h8 hub: H8



| dimensions | | | | transmission | | contact pressure | | locking screws Din912-12.9 | | |
|------------|-----|----|------|--------------|------|-------------------|-------------------|----------------------------|--------|------------|
| d | D | H | h1 | Ft | Mt | P | P1 | qty | size | tightening |
| mm | mm | mm | mm | KN | Nm | N/mm ² | N/mm ² | | | Nm |
| 16 | 32 | 24 | 18 | 9 | 72 | 83 | 41 | 4 | m4x16 | 5.1 |
| 16 | 40 | 24 | 18 | 23 | 210 | 83 | 74 | 4 | m6X16 | 17 |
| 19 | 41 | 24 | 18 | 23 | 222 | 155 | 72 | 4 | m6X16 | 17 |
| 20 | 42 | 24 | 18 | 23 | 233 | 147 | 70 | 4 | m6X16 | 17 |
| 22 | 44 | 24 | 18 | 23 | 257 | 134 | 67 | 4 | m6X16 | 17 |
| 24 | 46 | 24 | 18 | 35 | 420 | 184 | 96 | 6 | m6X16 | 17 |
| 25 | 47 | 24 | 18 | 35 | 438 | 177 | 94 | 6 | m6X16 | 17 |
| 28 | 50 | 24 | 18 | 35 | 490 | 158 | 88 | 6 | m6X16 | 17 |
| 30 | 52 | 24 | 18 | 35 | 525 | 147 | 85 | 6 | m6X16 | 17 |
| 32 | 54 | 24 | 18 | 35 | 560 | 138 | 82 | 6 | m6X16 | 17 |
| 35 | 57 | 28 | 21.5 | 26 | 459 | 79 | 49 | 6 | m6X18 | 17 |
| 36 | 58 | 28 | 21.5 | 35 | 630 | 103 | 64 | 8 | m6X18 | 17 |
| 38 | 60 | 28 | 21.5 | 35 | 665 | 97 | 62 | 8 | m6X18 | 17 |
| 40 | 62 | 28 | 21.5 | 35 | 700 | 93 | 60 | 8 | m6X18 | 17 |
| 42 | 70 | 36 | 28 | 82 | 1730 | 159 | 96 | 8 | m8X25 | 40 |
| 45 | 73 | 36 | 28 | 82 | 1853 | 149 | 92 | 8 | m8X25 | 40 |
| 48 | 76 | 36 | 28 | 82 | 1977 | 139 | 88 | 8 | m8X25 | 40 |
| 50 | 78 | 36 | 28 | 82 | 2059 | 134 | 86 | 8 | m8X25 | 40 |
| 55 | 83 | 36 | 28 | 94 | 2589 | 139 | 92 | 8 | m8X25 | 40 |
| 60 | 88 | 36 | 28 | 94 | 2824 | 127 | 87 | 8 | m8X25 | 40 |
| 65 | 93 | 45 | 35 | 94 | 3060 | 94 | 66 | 8 | m8X25 | 40 |
| 70 | 105 | 45 | 35 | 133 | 4671 | 124 | 83 | 8 | m10X30 | 81 |
| 75 | 110 | 45 | 35 | 133 | 5004 | 116 | 79 | 8 | m10X30 | 81 |
| 80 | 115 | 45 | 35 | 150 | 6005 | 122 | 85 | 8 | m10X30 | 81 |
| 85 | 120 | 45 | 35 | 167 | 7089 | 127 | 90 | 10 | m10X30 | 81 |
| 90 | 125 | 45 | 35 | 167 | 7506 | 120 | 87 | 10 | m10X30 | 81 |
| 100 | 138 | 45 | 35 | 167 | 8340 | 108 | 79 | 10 | m10X30 | 81 |



SIZE:HKC-50

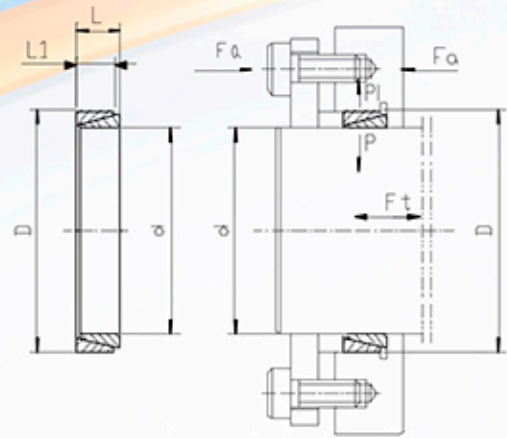
the size to fix(recommend):

Nominal dimension up to 38mm:

shaft: h6 hub: H7

Nominal dimension greater than 40mm:

shaft: h8 hub: H8

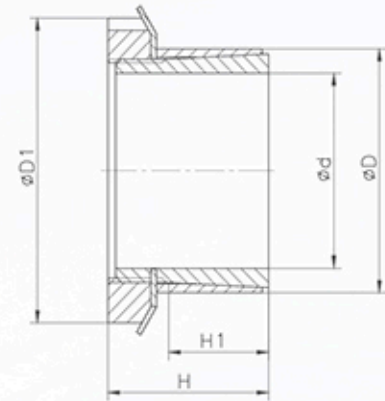


| dimensions | | | | transmission | | contact pressure | | |
|------------|----------|-----|------|--------------|--------|------------------|-------------------|-------------------|
| | | | | axial force | torque | torque | shaft | hub |
| Φd | ΦD | L | L1 | Ft | Mt | Mt | P | P1 |
| mm | mm | mm | mm | KN | Nm | Nm | N/mm ² | N/mm ² |
| 8 | 11 | 4.5 | 3.7 | 9.1 | 1.09 | 4.3 | 98 | 73 |
| 10 | 13 | 4.5 | 3.7 | 12.1 | 1.37 | 6.9 | 98 | 75 |
| 12 | 15 | 4.5 | 3.7 | 12.4 | 1.64 | 9.8 | 98 | 78 |
| 13 | 16 | 4.5 | 3.7 | 12.7 | 1.8 | 12 | 98 | 79 |
| 14 | 18 | 6.3 | 5.3 | 20.4 | 2.74 | 19.2 | 98 | 76 |
| 15 | 19 | 6.3 | 5.3 | 23.5 | 2.94 | 22.1 | 98 | 77 |
| 16 | 20 | 6.3 | 5.3 | 23.9 | 3.14 | 25.1 | 98 | 78 |
| 17 | 21 | 6.3 | 5.3 | 24.2 | 3.33 | 28.3 | 98 | 79 |
| 18 | 22 | 6.3 | 5.3 | 24.8 | 3.53 | 31.8 | 98 | 80 |
| 19 | 24 | 6.3 | 5.3 | 29.1 | 3.72 | 35.3 | 98 | 77 |
| 20 | 25 | 6.3 | 5.3 | 29.5 | 3.92 | 39.2 | 98 | 78 |
| 22 | 26 | 6.3 | 5.3 | 28.3 | 4.31 | 47 | 98 | 83 |
| 24 | 28 | 6.3 | 5.3 | 29.4 | 4.7 | 56.8 | 98 | 84 |
| 25 | 30 | 6.3 | 5.3 | 31.8 | 4.9 | 60.8 | 98 | 81 |
| 28 | 32 | 6.3 | 5.3 | 31.9 | 5.49 | 76.4 | 98 | 86 |
| 30 | 35 | 6.3 | 5.3 | 34.8 | 5.88 | 88.2 | 98 | 84 |
| 32 | 36 | 6.3 | 5.3 | 35.9 | 6.27 | 100 | 98 | 87 |
| 35 | 40 | 7 | 6 | 44.8 | 7.74 | 136 | 98 | 86 |
| 36 | 42 | 7 | 6 | 47.3 | 7.94 | 144 | 98 | 84 |
| 38 | 44 | 7 | 6 | 48.8 | 8.43 | 160 | 98 | 84 |
| 40 | 45 | 8 | 6.6 | 57.6 | 9.75 | 195 | 98 | 87 |
| 42 | 48 | 8 | 6.6 | 61.4 | 10.3 | 216 | 98 | 86 |
| 45 | 52 | 10 | 8.6 | 90.3 | 14.3 | 321 | 98 | 85 |
| 48 | 55 | 10 | 8.6 | 92.7 | 15.3 | 367 | 98 | 85 |
| 50 | 57 | 10 | 8.6 | 94.7 | 15.9 | 397 | 98 | 86 |
| 55 | 62 | 10 | 8.6 | 99.7 | 17.4 | 480 | 98 | 87 |
| 56 | 64 | 12 | 10.4 | 125.6 | 21.6 | 603 | 98 | 86 |
| 60 | 68 | 12 | 10.4 | 130.9 | 23 | 692 | 98 | 86 |
| 63 | 71 | 12 | 10.4 | 134.6 | 24.2 | 764 | 98 | 87 |
| 65 | 73 | 12 | 10.4 | 134.9 | 25 | 813 | 98 | 87 |
| 70 | 79 | 14 | 12.2 | 172.4 | 31.6 | 1110 | 98 | 87 |
| 71 | 80 | 14 | 12.2 | 174 | 32 | 1140 | 98 | 87 |
| 75 | 84 | 14 | 12.2 | 185.7 | 33.8 | 1260 | 98 | 87 |
| 80 | 91 | 17 | 15 | 247.1 | 44.1 | 1770 | 98 | 86 |
| 90 | 101 | 17 | 15 | 266.2 | 50 | 2240 | 98 | 87 |
| 100 | 114 | 21 | 18.7 | 370.8 | 69.6 | 3450 | 98 | 86 |
| 110 | 124 | 21 | 18.7 | 406.1 | 76.4 | 4170 | 98 | 87 |
| 120 | 134 | 21 | 18.7 | 432 | 83.3 | 4950 | 98 | 88 |
| 130 | 148 | 28 | 25.3 | 640.8 | 122 | 7840 | 98 | 86 |
| 140 | 158 | 28 | 25.3 | 676.5 | 131 | 9110 | 98 | 87 |
| 150 | 168 | 28 | 25.3 | 713 | 140 | 10500 | 98 | 87 |

SIZE:HKC-55

the size to fix(recommend):

shaft: h8 hub: H8



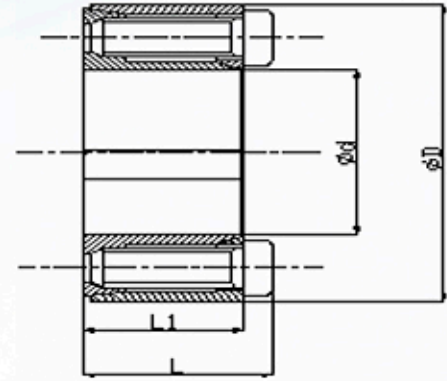
| dimensions | | | | | transimission | | contact | | locking screws Din912-12.9 | | |
|------------|----|----|----|----|---------------|--------|---------|-------|----------------------------|---------|------------|
| | | | | | axial force | torque | shaft | hub | qty | size | tightening |
| d | D | D1 | H | h1 | Ft | Mt | P | P1 | | | Ts |
| mm | mm | mm | mm | mm | KN | Nm | N/mm2 | N/mm2 | | | Nm |
| 15 | 25 | 32 | 31 | 20 | 9 | 77 | 91 | 55 | 1 | m20x1 | 95 |
| 18 | 30 | 38 | 33 | 21 | 13 | 125 | 98 | 59 | 1 | m25x1.5 | 160 |
| 19 | 30 | 38 | 33 | 21 | 13 | 132 | 93 | 59 | 1 | m25x1.5 | 160 |
| 20 | 30 | 38 | 33 | 21 | 13 | 139 | 88 | 59 | 1 | m25x1.5 | 160 |
| 24 | 35 | 45 | 38 | 25 | 15 | 202 | 74 | 51 | 1 | m30x1.5 | 220 |
| 25 | 35 | 45 | 38 | 25 | 15 | 210 | 71 | 51 | 1 | m30x1.5 | 220 |
| 28 | 40 | 52 | 44 | 28 | 20 | 312 | 76 | 53 | 1 | m35x1.5 | 340 |
| 30 | 40 | 52 | 44 | 28 | 20 | 335 | 71 | 53 | 1 | m35x1.5 | 340 |
| 35 | 45 | 58 | 45 | 28 | 25 | 483 | 75 | 58 | 1 | m40x1.5 | 480 |
| 40 | 50 | 65 | 46 | 28 | 31 | 696 | 82 | 66 | 1 | m45x1.5 | 680 |
| 45 | 55 | 70 | 47 | 28 | 36 | 902 | 84 | 69 | 1 | m50x1.5 | 870 |
| 50 | 60 | 75 | 47 | 28 | 37 | 1014 | 77 | 64 | 1 | m55x2 | 970 |
| 55 | 65 | 80 | 48 | 28 | 38 | 1158 | 73 | 61 | 1 | m60x2 | 1100 |
| 60 | 70 | 85 | 50 | 28 | 41 | 1379 | 73 | 62 | 1 | m65x2 | 1300 |



SIZE:HKC-6 I

the size to fix(recommend):

shaft: h8 hub: H8

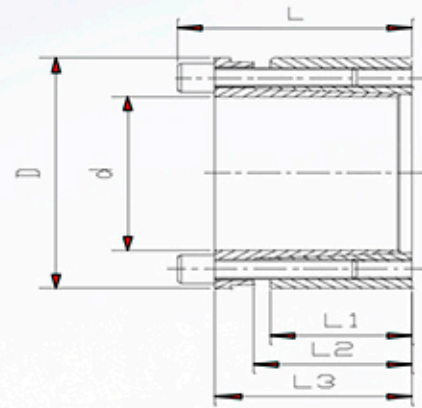


| dimensions | | | | transmission | | contact | | locking screws Din912-12.9 | | |
|------------|----|----|------|--------------|----------|------------|-------------|----------------------------|---------|------------|
| Φd | ΦD | L1 | L | axial force | torque | shaft | hub | qty | size | tightening |
| mm | mm | mm | mm | Ft KN | Mt Nm | P N/mm2 | P1 N/mm2 | | | Ts Nm |
| 10 | 20 | 13 | 15.5 | 3.8 | 19 | 89 | 45 | 4 | m2.5X12 | 1.2 |
| 11 | 22 | 13 | 15.5 | 3.8 | 21 | 81 | 41 | 4 | m2.5X12 | 1.2 |
| 12 | 22 | 13 | 15.5 | 3.8 | 23 | 75 | 41 | 4 | m2.5X12 | 1.2 |
| 14 | 26 | 17 | 20 | 5.5 | 39 | 71 | 38 | 4 | m3x16 | 2.1 |
| 15 | 28 | 17 | 20 | 5.5 | 42 | 66 | 35 | 4 | m3x16 | 2.1 |
| 16 | 32 | 17 | 21 | 9.6 | 77 | 107 | 54 | 4 | m4x16 | 4.9 |
| 17 | 35 | 21 | 25 | 9.6 | 82 | 81 | 40 | 4 | m4x20 | 4.9 |
| 18 | 35 | 21 | 25 | 9.6 | 87 | 77 | 40 | 4 | m4x20 | 4.9 |
| 19 | 35 | 21 | 25 | 24.8 | 91 | 73 | 40 | 4 | m4x20 | 4.9 |
| 20 | 38 | 21 | 26 | 15.7 | 157 | 113 | 60 | 4 | m5x20 | 10 |
| 22 | 40 | 21 | 26 | 15.7 | 173 | 103 | 57 | 4 | m5x20 | 10 |
| 24 | 47 | 26 | 32 | 22.3 | 268 | 110 | 56 | 4 | m6x24 | 17 |
| 25 | 47 | 26 | 32 | 22.3 | 279 | 105 | 56 | 4 | m6x24 | 17 |
| 28 | 50 | 26 | 32 | 33.5 | 468 | 141 | 79 | 6 | m6x24 | 17 |
| 30 | 55 | 26 | 32 | 33.5 | 502 | 132 | 72 | 6 | m6x24 | 17 |
| 32 | 55 | 26 | 32 | 33.5 | 535 | 123 | 72 | 6 | m6x24 | 17 |
| 35 | 60 | 31 | 37 | 44.6 | 781 | 125 | 73 | 8 | m6x28 | 17 |
| 38 | 65 | 31 | 37 | 44.6 | 848 | 115 | 67 | 8 | m6x28 | 17 |
| 40 | 65 | 31 | 37 | 44.6 | 892 | 110 | 67 | 8 | m6x28 | 17 |
| 42 | 75 | 36 | 44 | 60.6 | 1272 | 122 | 68 | 6 | m8x34 | 41 |
| 45 | 75 | 36 | 44 | 60.6 | 1363 | 113 | 68 | 6 | m8x34 | 41 |
| 48 | 80 | 36 | 44 | 80.8 | 1938 | 142 | 85 | 8 | m8x34 | 41 |
| 50 | 80 | 36 | 44 | 80.8 | 2019 | 136 | 85 | 8 | m8x34 | 41 |

SIZE:HKC-70

the size to fix(recommend):

shaft: h8 hub: H8

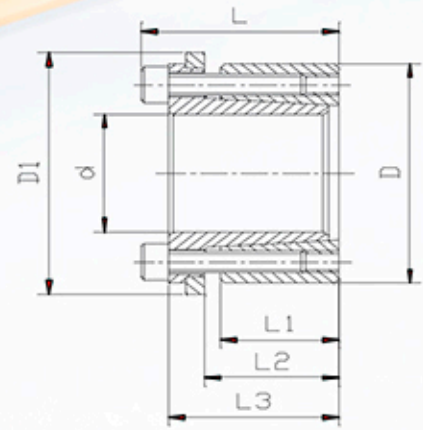


| dimensions | | | | | | transmission | | contact | | locking screws Din912-12.9 | | |
|------------|----------|----|----|----|----|--------------|--------|-------------------|-------------------|----------------------------|--------|------------|
| | | | | | | axial | torque | shaft | hub | qty | size | tightening |
| Φd | ΦD | L1 | L2 | L3 | L | | Mt | P | P1 | | | Ts |
| mm | mm | mm | mm | mm | mm | KN | Nm | N/mm ² | N/mm ² | | | Nm |
| 19 | 47 | 26 | 31 | 39 | 45 | 32 | 307 | 193 | 78 | 4 | m6x25 | 17 |
| 20 | 47 | 26 | 31 | 39 | 45 | 32 | 323 | 183 | 78 | 4 | m6x25 | 17 |
| 22 | 47 | 26 | 31 | 39 | 45 | 32 | 355 | 166 | 78 | 4 | m6x25 | 17 |
| 24 | 50 | 26 | 31 | 39 | 45 | 48 | 582 | 229 | 110 | 6 | m6x25 | 17 |
| 25 | 50 | 26 | 31 | 39 | 45 | 48 | 606 | 220 | 110 | 6 | m6x25 | 17 |
| 28 | 55 | 26 | 31 | 39 | 45 | 48 | 679 | 196 | 100 | 6 | m6x25 | 17 |
| 30 | 55 | 26 | 31 | 39 | 45 | 48 | 727 | 183 | 100 | 6 | m6x25 | 17 |
| 32 | 60 | 26 | 31 | 39 | 45 | 65 | 1033 | 229 | 122 | 8 | m6x25 | 17 |
| 35 | 60 | 26 | 31 | 39 | 45 | 65 | 1130 | 209 | 122 | 8 | m6x25 | 17 |
| 38 | 65 | 26 | 31 | 39 | 45 | 65 | 1227 | 193 | 113 | 8 | m6x25 | 17 |
| 40 | 65 | 26 | 31 | 39 | 45 | 65 | 1292 | 183 | 113 | 8 | m6x25 | 17 |
| 42 | 75 | 30 | 36 | 47 | 55 | 87 | 1835 | 204 | 115 | 6 | m8x30 | 41 |
| 45 | 75 | 30 | 36 | 47 | 55 | 87 | 1966 | 191 | 115 | 6 | m8x30 | 41 |
| 48 | 80 | 30 | 36 | 47 | 55 | 87 | 2097 | 179 | 107 | 6 | m8x30 | 41 |
| 50 | 80 | 30 | 36 | 47 | 55 | 87 | 2184 | 172 | 107 | 6 | m8x30 | 41 |
| 55 | 85 | 30 | 36 | 47 | 55 | 116 | 3202 | 208 | 135 | 8 | m8x30 | 41 |
| 60 | 90 | 30 | 36 | 47 | 55 | 116 | 3493 | 191 | 127 | 8 | m8x30 | 41 |
| 65 | 95 | 30 | 36 | 47 | 55 | 116 | 3784 | 176 | 120 | 8 | m8x30 | 41 |
| 70 | 110 | 40 | 46 | 57 | 67 | 189 | 6607 | 199 | 127 | 8 | m10x35 | 83 |
| 75 | 115 | 40 | 46 | 62 | 72 | 189 | 7079 | 186 | 121 | 8 | m10x35 | 83 |
| 80 | 120 | 40 | 46 | 62 | 72 | 189 | 7551 | 174 | 116 | 8 | m10x35 | 83 |
| 85 | 125 | 40 | 46 | 62 | 72 | 236 | 10029 | 205 | 139 | 10 | m10x35 | 83 |
| 90 | 130 | 40 | 46 | 62 | 72 | 236 | 10619 | 193 | 134 | 10 | m10x35 | 83 |
| 95 | 135 | 40 | 46 | 62 | 72 | 236 | 11209 | 183 | 129 | 10 | m10x35 | 83 |
| 100 | 145 | 46 | 52 | 77 | 89 | 275 | 13738 | 176 | 121 | 8 | m12x45 | 145 |
| 110 | 155 | 46 | 52 | 77 | 89 | 275 | 15111 | 160 | 114 | 8 | m12x45 | 145 |
| 120 | 165 | 46 | 52 | 77 | 89 | 343 | 20606 | 183 | 133 | 10 | m12x45 | 145 |
| 130 | 180 | 46 | 52 | 77 | 89 | 412 | 26788 | 203 | 147 | 12 | m12x45 | 145 |
| 140 | 190 | 51 | 59 | 84 | 98 | 373 | 26142 | 154 | 114 | 8 | m14x45 | 230 |
| 150 | 200 | 51 | 59 | 84 | 98 | 467 | 35016 | 180 | 135 | 10 | m14x45 | 230 |
| 160 | 210 | 51 | 59 | 84 | 98 | 467 | 37351 | 169 | 129 | 10 | m14x45 | 230 |
| 170 | 225 | 51 | 59 | 84 | 98 | 560 | 47617 | 191 | 144 | 12 | m14x45 | 230 |
| 180 | 235 | 51 | 59 | 84 | 98 | 560 | 50418 | 180 | 138 | 12 | m14x45 | 230 |

SIZE:HKC-7 I

the size to fix(recommend):

shaft: h8 hub: H8

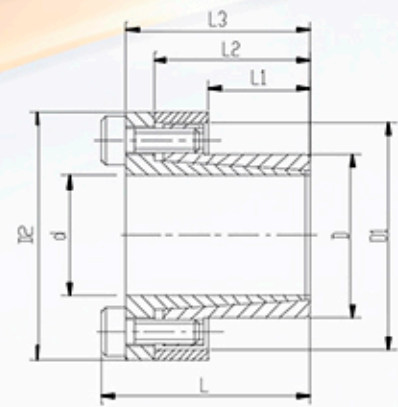


| dimensions | | | | | | | transmission | | contact pressure | | locking screws Din912-12.9 | | |
|------------|-----|-----|----|----|----|----|--------------|--------|-------------------|-------------------|----------------------------|--------|------------|
| | | | | | | | axial force | torque | shaft | hub | qty | size | tightening |
| d | D | D1 | L1 | L2 | L3 | L | Ft | Mt | P | P1 | | Ts | |
| mm | mm | mm | mm | mm | mm | mm | KN | Nm | N/mm ² | N/mm ² | | Nm | |
| 19 | 47 | 53 | 26 | 31 | 39 | 45 | 20 | 188 | 118 | 48 | 4 | m6x20 | 17 |
| 20 | 47 | 53 | 26 | 31 | 39 | 45 | 20 | 198 | 112 | 48 | 4 | m6x20 | 17 |
| 22 | 47 | 53 | 26 | 31 | 39 | 45 | 20 | 217 | 102 | 48 | 4 | m6x20 | 17 |
| 24 | 50 | 56 | 26 | 31 | 39 | 45 | 30 | 356 | 140 | 67 | 6 | m6x20 | 17 |
| 25 | 50 | 56 | 26 | 31 | 39 | 45 | 30 | 371 | 135 | 67 | 6 | m6x20 | 17 |
| 28 | 55 | 61 | 26 | 31 | 39 | 45 | 30 | 416 | 120 | 61 | 6 | m6x20 | 17 |
| 30 | 55 | 61 | 26 | 31 | 39 | 45 | 30 | 446 | 112 | 61 | 6 | m6x20 | 17 |
| 32 | 60 | 66 | 26 | 31 | 39 | 45 | 40 | 634 | 140 | 75 | 8 | m6x20 | 17 |
| 35 | 60 | 66 | 26 | 31 | 39 | 45 | 40 | 694 | 128 | 75 | 8 | m6x20 | 17 |
| 38 | 65 | 71 | 26 | 31 | 39 | 45 | 40 | 753 | 118 | 69 | 8 | m6x20 | 17 |
| 40 | 65 | 71 | 26 | 31 | 39 | 45 | 40 | 793 | 112 | 69 | 8 | m6x20 | 17 |
| 42 | 75 | 81 | 30 | 36 | 47 | 55 | 54 | 1125 | 125 | 70 | 6 | m8x30 | 41 |
| 45 | 75 | 81 | 30 | 36 | 47 | 55 | 54 | 1205 | 117 | 70 | 6 | m8x30 | 41 |
| 48 | 80 | 86 | 30 | 36 | 47 | 55 | 54 | 1286 | 110 | 66 | 6 | m8x30 | 41 |
| 50 | 80 | 86 | 30 | 36 | 47 | 55 | 54 | 1339 | 105 | 66 | 6 | m8x30 | 41 |
| 55 | 85 | 91 | 30 | 36 | 47 | 55 | 71 | 1963 | 128 | 83 | 8 | m8x30 | 41 |
| 60 | 90 | 96 | 30 | 36 | 47 | 55 | 71 | 2142 | 117 | 78 | 8 | m8x30 | 41 |
| 65 | 95 | 101 | 30 | 36 | 47 | 55 | 71 | 2320 | 108 | 74 | 8 | m8x30 | 41 |
| 70 | 110 | 116 | 40 | 46 | 57 | 67 | 116 | 4048 | 122 | 78 | 8 | m10x35 | 83 |
| 75 | 115 | 121 | 40 | 46 | 62 | 72 | 116 | 4338 | 114 | 74 | 8 | m10x35 | 83 |
| 80 | 120 | 126 | 40 | 46 | 62 | 72 | 116 | 4627 | 107 | 71 | 8 | m10x35 | 83 |
| 85 | 125 | 131 | 40 | 46 | 62 | 72 | 145 | 6146 | 125 | 85 | 10 | m10x35 | 83 |
| 90 | 130 | 136 | 40 | 46 | 62 | 72 | 145 | 6508 | 118 | 82 | 10 | m10x35 | 83 |
| 95 | 135 | 141 | 40 | 46 | 62 | 72 | 145 | 6869 | 112 | 79 | 10 | m10x35 | 83 |
| 100 | 145 | 151 | 46 | 52 | 77 | 89 | 168 | 8419 | 108 | 74 | 8 | m12x45 | 145 |
| 110 | 155 | 161 | 46 | 52 | 77 | 89 | 168 | 9260 | 98 | 70 | 8 | m12x45 | 145 |
| 120 | 165 | 171 | 46 | 52 | 77 | 89 | 210 | 12630 | 112 | 82 | 10 | m12x45 | 145 |
| 130 | 180 | 186 | 46 | 52 | 77 | 89 | 253 | 16420 | 125 | 90 | 12 | m12x45 | 145 |
| 140 | 190 | 196 | 51 | 59 | 84 | 98 | 229 | 16020 | 95 | 70 | 8 | m14x45 | 230 |
| 150 | 200 | 206 | 51 | 59 | 84 | 98 | 286 | 21457 | 110 | 83 | 10 | m14x45 | 230 |
| 160 | 210 | 216 | 51 | 59 | 84 | 98 | 286 | 22887 | 103 | 79 | 10 | m14x45 | 230 |
| 170 | 225 | 231 | 51 | 59 | 84 | 98 | 343 | 29183 | 117 | 88 | 12 | m14x45 | 230 |
| 180 | 235 | 241 | 51 | 59 | 84 | 98 | 343 | 30900 | 110 | 84 | 12 | m14x45 | 230 |

SIZE:HKC-80

the size to fix(recommend):

shaft: h8 hub: H8

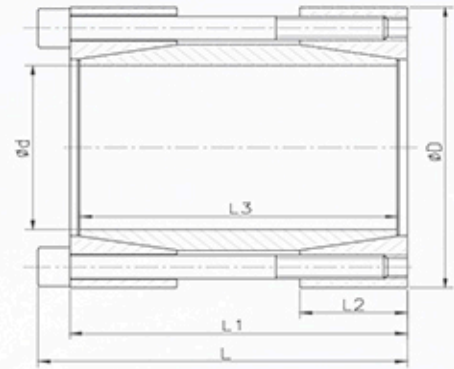


| dimensions | | | | | | | | transmission | | contact pressure | | locking screws Din912-12.9 | | |
|------------|----------|----|-----|-----|-----|-----|-----|--------------|--------|-------------------|-------------------|----------------------------|--------|------------|
| | | | | | | | | | | | | Din 912-12.9 | | |
| | | | | | | | | axial force | torque | shaft | hub | qty | size | tightening |
| Φd | ΦD | L1 | L2 | L3 | L | D2 | D1 | Ft | Mt | P | P1 | Ts | | |
| mm | mm | mm | mm | mm | mm | mm | mm | KN | Nm | N/mm ² | N/mm ² | Nm | | |
| 8 | 15 | 12 | 21 | 24 | 28 | 32 | 28 | 10 | 30 | 190 | 105 | 4 | m4x10 | 5.2 |
| 9 | 16 | 14 | 23 | 27 | 31 | 32 | 28 | 10 | 32 | 150 | 92 | 4 | m4x12 | 5.2 |
| 10 | 16 | 14 | 23 | 27 | 31 | 32 | 28 | 10 | 40 | 140 | 90 | 4 | m4x12 | 5.2 |
| 11 | 18 | 14 | 23 | 27 | 31 | 34 | 30 | 10 | 50 | 174.8 | 106.8 | 4 | m4x12 | 5.2 |
| 12 | 18 | 14 | 23 | 27 | 31 | 34 | 30 | 10 | 55 | 160.8 | 106.8 | 4 | m4x12 | 5.2 |
| 14 | 23 | 14 | 23 | 27 | 31 | 39 | 35 | 10 | 64 | 137.4 | 83.6 | 4 | m4x12 | 5.2 |
| 15 | 24 | 16 | 29 | 36 | 42 | 45 | 40 | 16 | 99 | 161.8 | 101.2 | 3 | m6x18 | 17 |
| 16 | 24 | 16 | 29 | 36 | 42 | 45 | 40 | 16 | 105 | 151.7 | 101.2 | 3 | m6x18 | 17 |
| 18 | 26 | 18 | 31 | 38 | 44 | 47 | 42 | 21 | 158 | 159.8 | 110.7 | 4 | m6x18 | 17 |
| 19 | 27 | 18 | 31 | 38 | 44 | 48 | 43 | 21 | 167 | 151.4 | 106.6 | 4 | m6x18 | 17 |
| 20 | 28 | 18 | 31 | 38 | 44 | 49 | 44 | 21 | 176 | 143.9 | 102.8 | 4 | m6x18 | 17 |
| 22 | 32 | 25 | 38 | 45 | 51 | 54 | 48 | 21 | 232 | 112.8 | 77.6 | 4 | m6x18 | 17 |
| 24 | 34 | 25 | 38 | 45 | 51 | 56 | 50 | 21 | 253 | 103.4 | 73 | 4 | m6x18 | 17 |
| 25 | 34 | 25 | 38 | 45 | 51 | 56 | 50 | 21 | 263 | 99.3 | 73 | 4 | m6x18 | 17 |
| 28 | 39 | 25 | 38 | 45 | 51 | 61 | 55 | 27 | 368 | 110.8 | 79.6 | 5 | m6x18 | 17 |
| 30 | 41 | 25 | 38 | 45 | 51 | 63 | 57 | 32 | 474 | 124.1 | 90.8 | 6 | m6x18 | 17 |
| 32 | 43 | 30 | 43 | 50 | 56 | 65 | 59 | 32 | 505 | 97 | 72.2 | 6 | m6x18 | 17 |
| 35 | 47 | 30 | 43 | 50 | 56 | 69 | 63 | 43 | 737 | 118.9 | 88 | 8 | m6x18 | 17 |
| 38 | 50 | 30 | 43 | 50 | 56 | 72 | 66 | 43 | 800 | 108.9 | 82.8 | 8 | m6x18 | 17 |
| 40 | 53 | 32 | 45 | 52 | 58 | 75 | 69 | 48 | 947 | 109.1 | 82.3 | 9 | m6x18 | 17 |
| 42 | 55 | 32 | 45 | 52 | 58 | 77 | 71 | 48 | 994 | 103.9 | 79.3 | 9 | m6x18 | 17 |
| 45 | 59 | 40 | 56 | 64 | 72 | 85 | 79 | 79 | 1750 | 127.4 | 97.2 | 8 | m8x22 | 42 |
| 48 | 62 | 40 | 56 | 64 | 72 | 88 | 82 | 79 | 1867 | 119.5 | 92.5 | 8 | m8x22 | 42 |
| 50 | 65 | 50 | 66 | 74 | 82 | 92 | 85 | 99 | 2431 | 114.7 | 98.2 | 10 | m8x22 | 42 |
| 55 | 71 | 50 | 66 | 74 | 82 | 98 | 91 | 99 | 2674 | 104.3 | 80.8 | 10 | m8x22 | 42 |
| 60 | 77 | 50 | 66 | 74 | 82 | 104 | 97 | 99 | 2917 | 95.6 | 74.5 | 10 | m8x22 | 42 |
| 65 | 84 | 50 | 66 | 74 | 82 | 111 | 104 | 99 | 3160 | 88.2 | 68.8 | 10 | m8x22 | 42 |
| 70 | 90 | 60 | 80 | 91 | 101 | 122 | 115 | 127 | 4322 | 86.7 | 67.4 | 8 | m10x25 | 84 |
| 75 | 95 | 60 | 80 | 91 | 101 | 126 | 119 | 142 | 6171 | 93 | 74 | 9 | m10x25 | 84 |
| 80 | 100 | 65 | 85 | 96 | 106 | 131 | 124 | 190 | 7899 | 97 | 77 | 12 | m10x25 | 84 |
| 85 | 106 | 65 | 85 | 96 | 106 | 137 | 130 | 190 | 8393 | 91 | 73 | 12 | m10x25 | 84 |
| 90 | 112 | 65 | 85 | 96 | 106 | 143 | 136 | 222 | 10367 | 100 | 51 | 14 | m10x25 | 84 |
| 95 | 120 | 65 | 85 | 96 | 106 | 153 | 144 | 222 | 10943 | 95 | 75 | 14 | m10x25 | 84 |
| 100 | 125 | 65 | 89 | 102 | 114 | 162 | 153 | 273 | 14520 | 114 | 91 | 12 | m12x30 | 145 |
| 110 | 140 | 70 | 94 | 107 | 119 | 177 | 168 | 273 | 15972 | 96 | 75 | 12 | m12x30 | 145 |
| 120 | 155 | 90 | 114 | 127 | 139 | 195 | 185 | 364 | 23232 | 91 | 71 | 16 | m12x30 | 145 |
| 130 | 165 | 90 | 114 | 127 | 139 | 205 | 195 | 364 | 25168 | 84 | 66 | 16 | m12x30 | 145 |
| 140 | 175 | 90 | 114 | 127 | 139 | 215 | 205 | 364 | 27104 | 78 | 63 | 16 | m12x30 | 145 |
| 150 | 185 | 90 | 114 | 127 | 139 | 225 | 215 | 364 | 29041 | 73 | 59 | 16 | m12x30 | 145 |

SIZE:HKC-95

the size to fix(recommend):

shaft: h8 hub: H8



| dimensions | | | | | | transmission | | contact pressure | locking screws Din912-12.9 | | |
|------------|-----|-----|-----|------|----|--------------|-------------|------------------|----------------------------|--------|------------|
| | | | | | | torque | axial force | shaft | Din 912-12.9 | | |
| | | | | | | | | | qty | size | tightening |
| d | D | L | L1 | L2 | L3 | Mt | Ft | | | | Ts |
| mm | mm | mm | mm | mm | mm | Nm | KN | N/mm2 | | | Nm |
| 15 | 45 | 56 | 50 | 16 | 44 | 158 | 20 | 188 | 4 | m6x45 | 17 |
| 16 | 50 | 56 | 50 | 16 | 44 | 160 | 20 | 176 | 4 | m6x45 | 17 |
| 17 | 50 | 56 | 50 | 16 | 44 | 166 | 20 | 166 | 4 | m6x45 | 17 |
| 18 | 50 | 56 | 50 | 16 | 44 | 176 | 20 | 157 | 4 | m6x45 | 17 |
| 19 | 50 | 56 | 50 | 16 | 44 | 186 | 20 | 149 | 4 | m6x45 | 17 |
| 20 | 50 | 56 | 50 | 16 | 44 | 195 | 20 | 141 | 4 | m6x45 | 17 |
| 24 | 55 | 66 | 60 | 18.5 | 54 | 351 | 29 | 144 | 6 | m6x55 | 17 |
| 25 | 55 | 66 | 60 | 18.5 | 54 | 366 | 29 | 138 | 6 | m6x55 | 17 |
| 28 | 60 | 66 | 60 | 18.5 | 54 | 410 | 29 | 123 | 6 | m6x55 | 17 |
| 30 | 60 | 66 | 60 | 18.5 | 54 | 439 | 29 | 115 | 6 | m6x55 | 17 |
| 32 | 63 | 66 | 60 | 18.5 | 54 | 468 | 29 | 108 | 6 | m6x55 | 17 |
| 35 | 75 | 83 | 75 | 22 | 67 | 633 | 36 | 98 | 4 | m8x70 | 42 |
| 38 | 75 | 83 | 75 | 22 | 67 | 687 | 36 | 90 | 4 | m8x70 | 42 |
| 40 | 75 | 83 | 75 | 22 | 67 | 724 | 36 | 86 | 4 | m8x70 | 42 |
| 42 | 78 | 83 | 75 | 22 | 67 | 760 | 36 | 82 | 4 | m8x70 | 42 |
| 45 | 85 | 93 | 85 | 24.5 | 76 | 1220 | 54 | 101 | 6 | m8x80 | 42 |
| 48 | 90 | 93 | 85 | 24.5 | 76 | 1301 | 54 | 95 | 6 | m8x80 | 42 |
| 50 | 90 | 93 | 85 | 24.5 | 76 | 1355 | 54 | 91 | 6 | m8x80 | 42 |
| 55 | 94 | 93 | 85 | 24.5 | 76 | 1987 | 72 | 110 | 8 | m8x80 | 42 |
| 60 | 100 | 93 | 85 | 24.5 | 76 | 2168 | 72 | 101 | 8 | m8x80 | 42 |
| 65 | 105 | 93 | 85 | 24.5 | 76 | 2348 | 72 | 93 | 8 | m8x80 | 42 |
| 70 | 115 | 110 | 100 | 29 | 90 | 4041 | 115 | 116 | 8 | m10x95 | 84 |

